

# OWR-06944T-16B

In-ear driver, full range

Available in a range of variants subjects to customers audio preference.

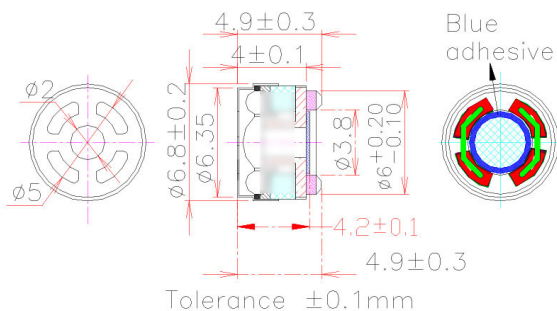


## Characteristics

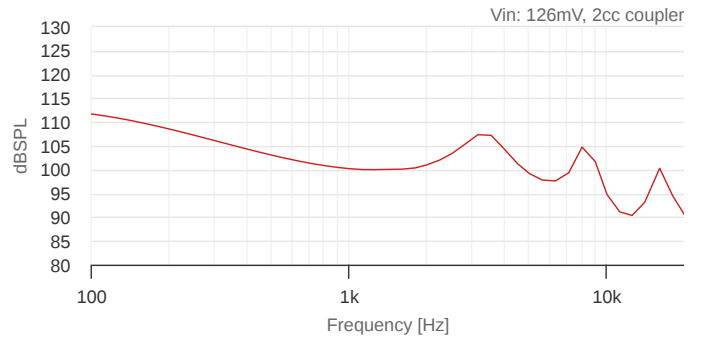
Size (ØxH) [mm]	7.0x4.2	
Sensitivity [dB SPL]	98.0±3dB	[dB SPL @1kHz, 1mW, 2cc]
Impedance [Ω]	16	
Power [W]	5.0 / 10.0	Free field
F0 [Hz]	3100	Free field
Termination	Terminals	

Specifications are subject to change without prior notice. Upon request Ole Wolff can supply further specifications, simulation parameters etc.

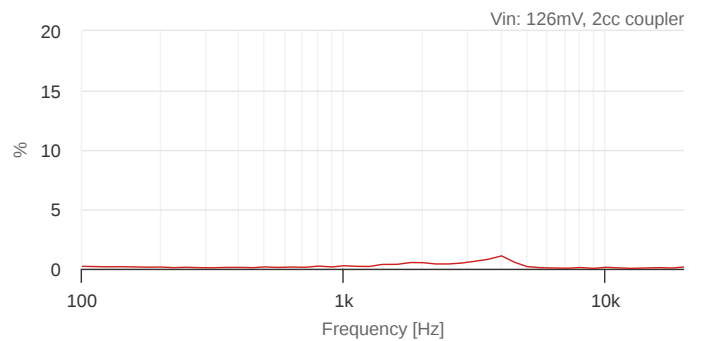
## Mechanical drawing



## SPL



## THD



## Impedance

