

# OWR-0640T-16H

In-ear driver, full range

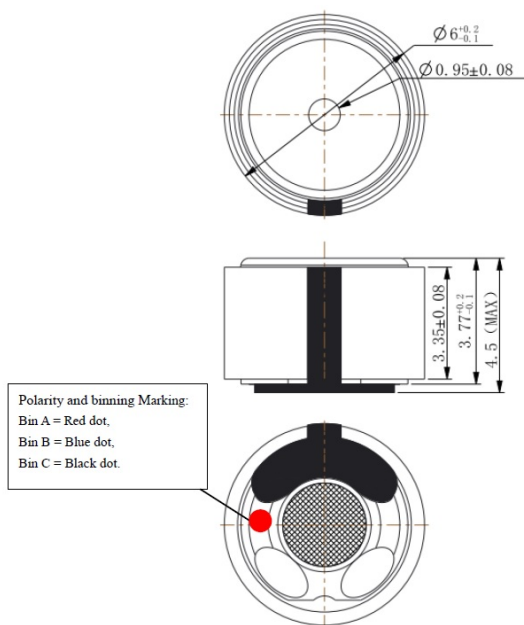


## Characteristics

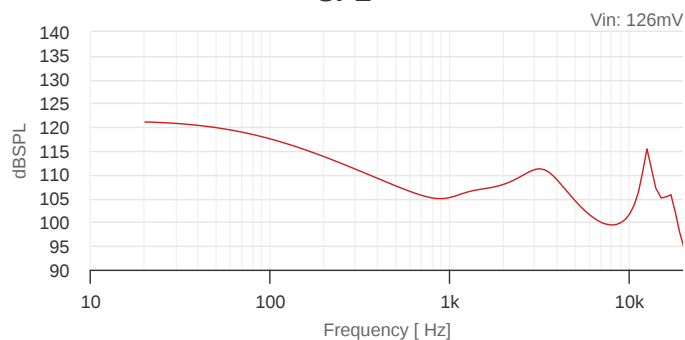
Size (ØxH) [mm]	6.0x4.5	
Sensitivity [dB SPL]	103.5±3dB	[dB SPL @1kHz, 126mV, IEC711]
Impedance [Ω]	16	
Power [W]	5.0 / 10.0	Free field
F0 [Hz]	3000	
Termination	Terminals	

Specifications are subject to change without prior notice. Upon request Ole Wolff can supply further specifications, simulation parameters etc.

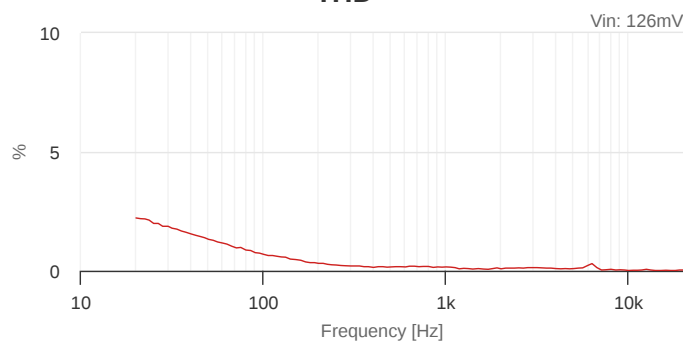
## Mechanical drawing



### SPL



### THD



### Impedance

