

OWR-0504T-16

Receiver for in-ear applications

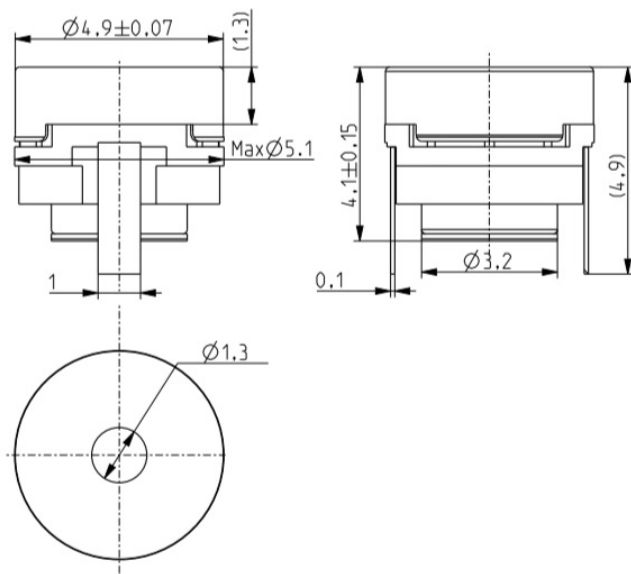


Characteristics

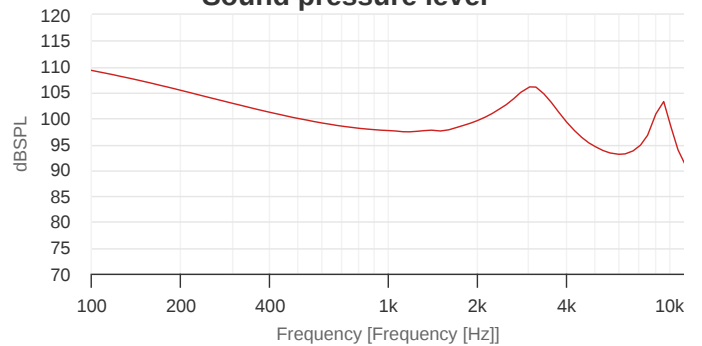
Size (ØxH) [mm]	4.9x4.1	
Sensitivity [dB SPL]	66.2±3 dB	[dB SPL @1kHz, 1mW/10mm]
Impedance [Ω]	16	
Power [W]	5.0 / 10.0	
F0 [Hz]	1200	Free field
Termination	Terminal	

Specifications are subject to change without prior notice. Upon request Ole Wolff can supply further specifications, simulation parameters etc.

Mechanical drawing



Sound pressure level



Total harmonic distortion

